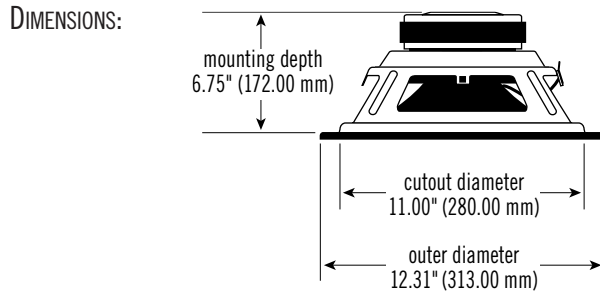


SPECIFICATIONS

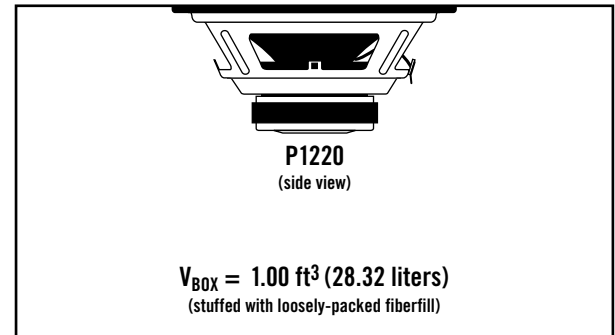
DIAMETER:	12" (304.8 mm)
SENSITIVITY (2.83 V @ 1m):	91 dB
POWER HANDLING:	400 W _{RMS} (1,600 W _{PEAK})
FREQUENCY RESPONSE:	20 ~ 450 Hz
NOMINAL IMPEDANCE:	2 OHMS
VOICE-COIL DIAMETER:	3.0" (76.2 mm)



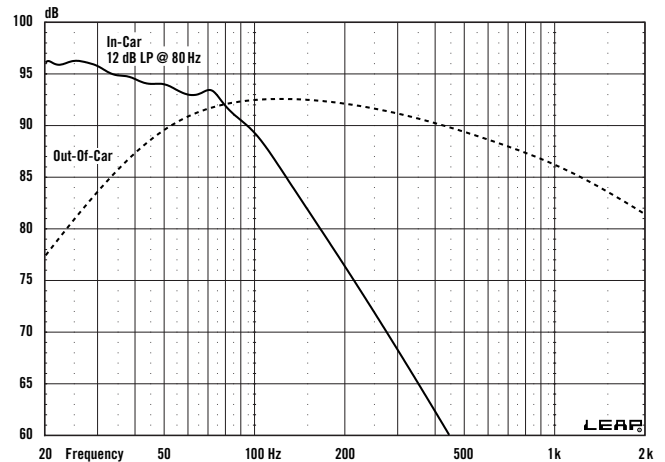
THIELE-SMALL PARAMETERS

VOICE COIL DC RESISTANCE:	R_{EVC} (OHMS)	1.95
VOICE COIL INDUCTANCE @ 1 kHz:	L_{EVC} (MH)	0.99
DRIVER RADIATING AREA:	S_D (IN ²)	74.71
	S_D (CM ²)	482.00
MOTOR FORCE FACTOR:	BL (TM)	12.50
COMPLIANCE VOLUME:	V_{AS} (FT ³)	1.67
	V_{AS} (LITERS)	47.40
SUSPENSION COMPLIANCE:	C_{MS} (µM/N)	143.68
MOVING MASS, AIR LOAD:	M_{MS} (GRAMS)	214.80
MOVING MASS, DIAPHRAGM:	M_{MD} (GRAMS)	208.72
FREE-AIR RESONANCE:	F_S (HZ)	28.65
MECHANICAL Q:	Q_{MS}	6.71
ELECTRICAL Q:	Q_{ES}	0.48
TOTAL Q:	Q_{TS}	0.45
MAGNETIC-GAP HEIGHT:	H_{AG} (IN)	0.47
	H_{AG} (MM)	12.00
VOICE-COIL HEIGHT:	H_{VC} (IN)	1.72
	H_{VC} (MM)	43.80
MAXIMUM EXCURSION:	X_{MAX} (IN)	0.63
	X_{MAX} (MM)	15.90

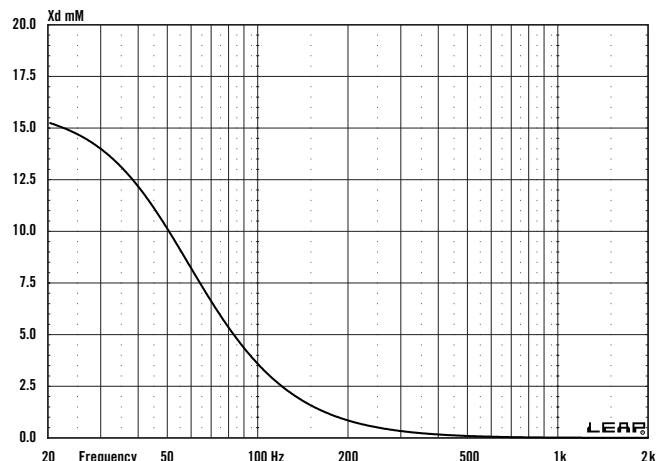
SEALED BOX VOLUME (INCLUDES DRIVER DISPLACEMENT)



SEALED FREQUENCY RESPONSE @ 2.83 V



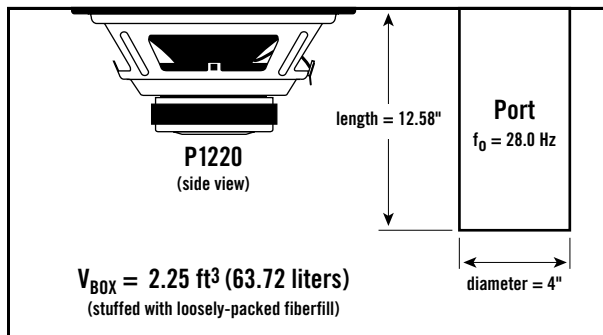
SEALED TRANSDUCER EXCURSION @ 450 W



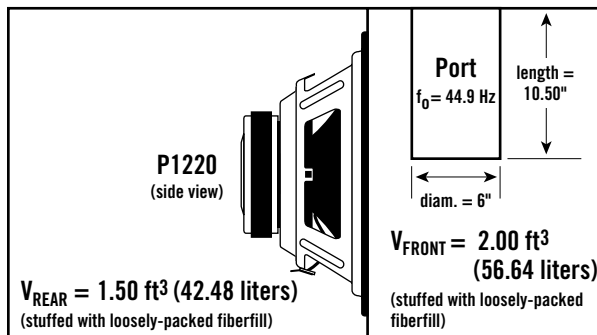


P1220 12" Woofer – Technical Data

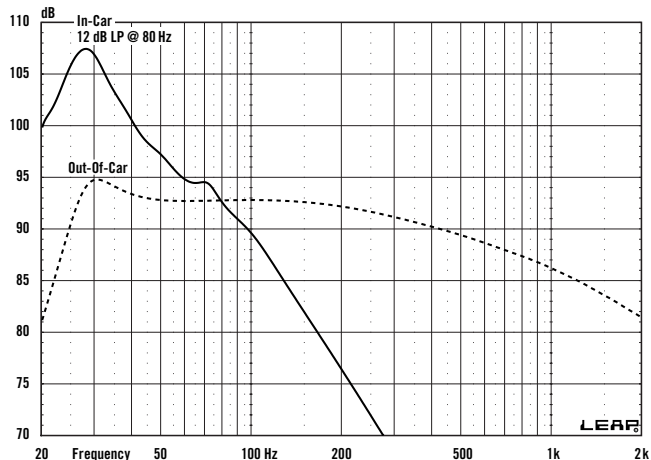
VENTED BOX VOLUME (INCLUDES DRIVER/PORT DISPLACEMENTS)



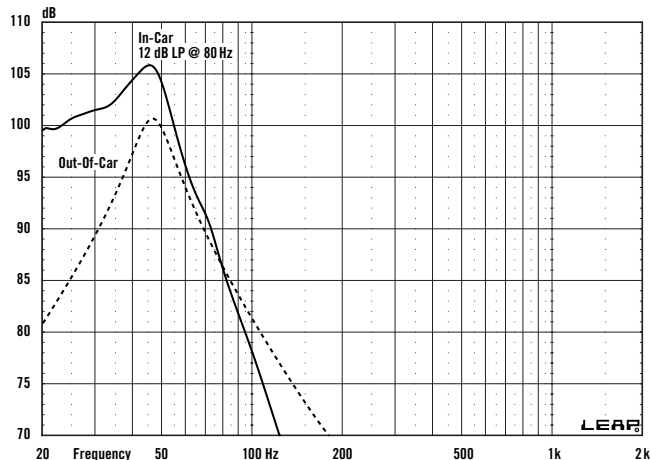
SEALED BANDPASS BOX VOLUME (INCLUDES DRIVER/PORT DISPLACEMENTS)



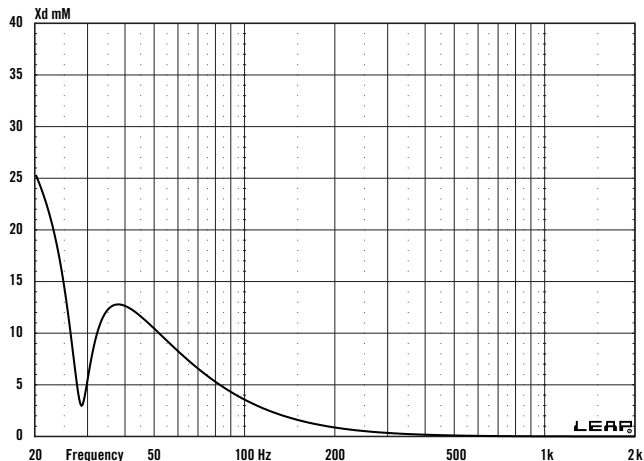
VENTED FREQUENCY RESPONSE @ 2.83 V



SEALED BANDPASS FREQUENCY RESPONSE @ 2.83 V



VENTED TRANSDUCER EXCURSION @ 500 W



SEALED BANDPASS TRANSDUCER EXCURSION @ 400 W

